



Pièces de rechange SDET (C , S) Onderdelen

Période
Periode **1992 - 1995**

N° de fabrication 10 positions
Fabricage N° 10 posities

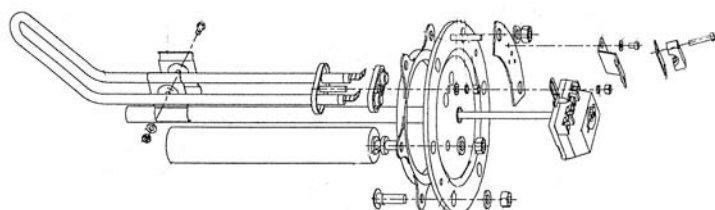
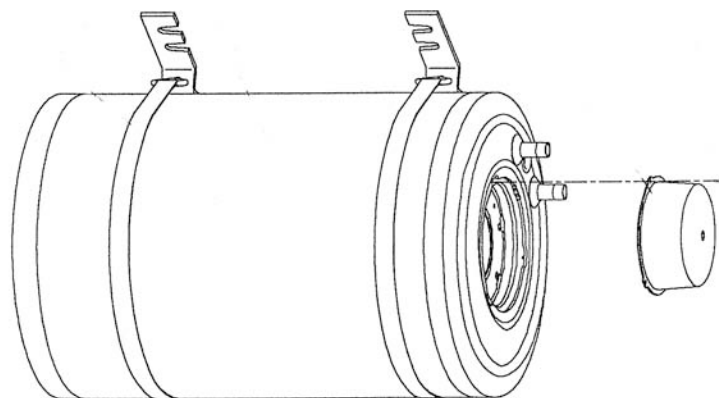
2 derniers chiffres = année de fabrication

2 laatste cijfers = fabricagejaar

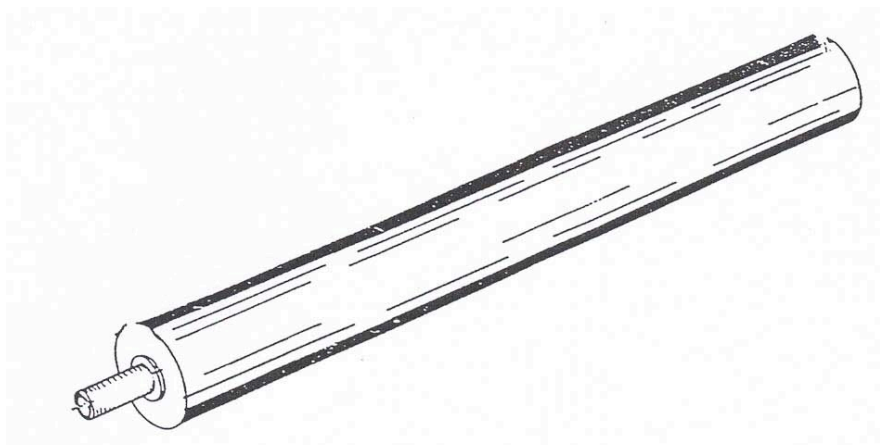
Ex.

5675209494 = 1994

Vb.



ANODE



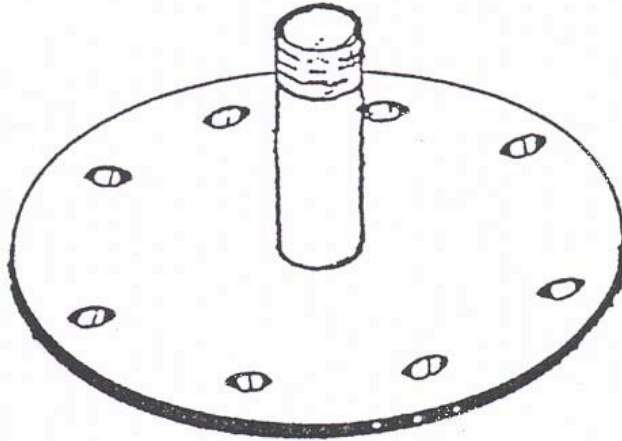
TYPE	REF
SDET 50 – SDET 75 – SDET 100 SDET C 100 – SDET 100 H	3242787
SDET 150 H – SDET 150 – SDET C 150 SDET 200 – SDET C 200 – SDET 150 S SDET C 150 S – SDET 200 S SDET C 200 S – SDET C 300 S	3221033

Joint Anode
Dichting Anode



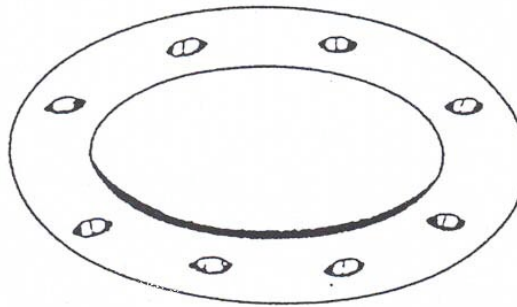
TYPE	REF
SDET 50 – SDET 75 – SDET 100 SDET C 100 – SDET 100 H	1205164
SDET 150 H – SDET 150 – SDET C 150 SDET 200 – SDET C 200 – SDET 150 S SDET C 150 S – SDET 200 S SDET C 200 S – SDET C 300 S	1205164

BRIDE – FLENS



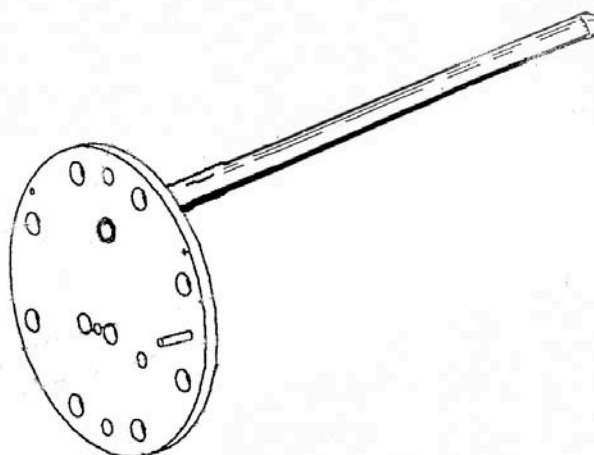
TYPE	REF.
SDET 150 S – SDET C 150 S	-
SDET 200 S – SDET C 200 S	3224004
SDET C 300S	-

Joint Bride Dichting Flens



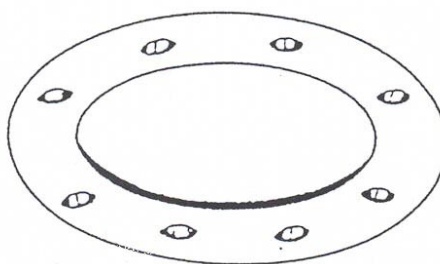
TYPE	REF.
SDET 150 S – SDET C 150 S	3244502
SDET 200 S – SDET C 200 S	
SDET C 300 S	

BRIDE CHAUFFE – EAU BLINDES MONO (24 mm)
 FLENS WATERVERWARMER GEPANTSERD MONO (24 mm)



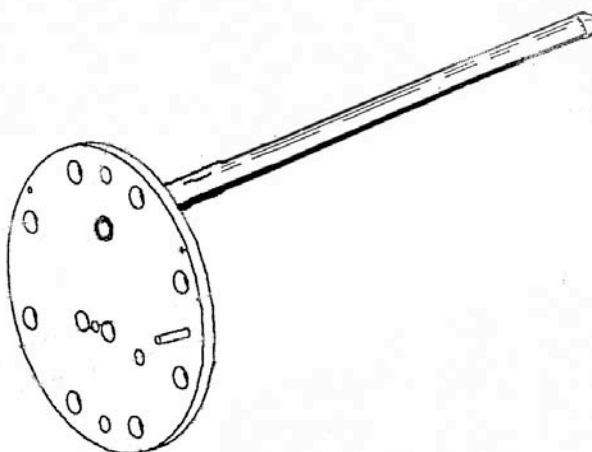
TYPE	REF.
SDET 50	3216008
SDET 100 H – SDET 150 H	3216011

Joint Bride
 Dichting Flens



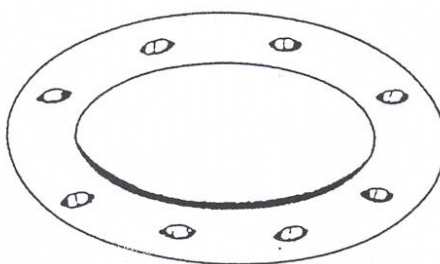
TYPE	REF.
SDET 50	3244502
SDET 100 H – SDET 150 H	3244502

BRIDE CHAUFFE – EAU BLINDES MONO (30 mm)
 FLENS WATERVERWARMER GEPANTSERD MONO (30 mm)



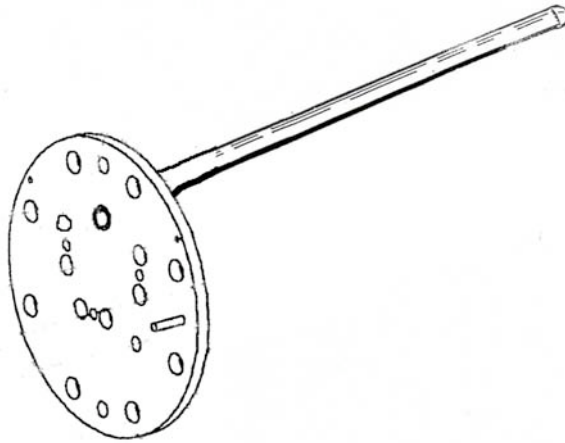
TYPE	REF.
SDET 50	-
SDET 100 H – SDET 150 H	3240036

Joint Bride
 Dichting Flens



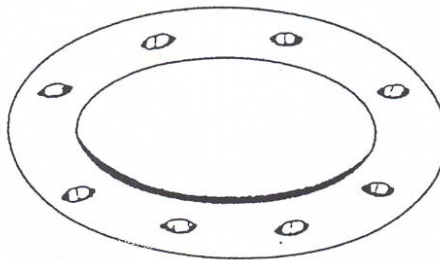
TYPE	REF.
SDET 50	3244502
SDET 100 H – SDET 150 H	3244502

BRIDE CHAUFFE – EAU BLINDES TRI (24 mm)
 FLENS WATERVERWARMER GEPANTSERD TRI (24 mm)



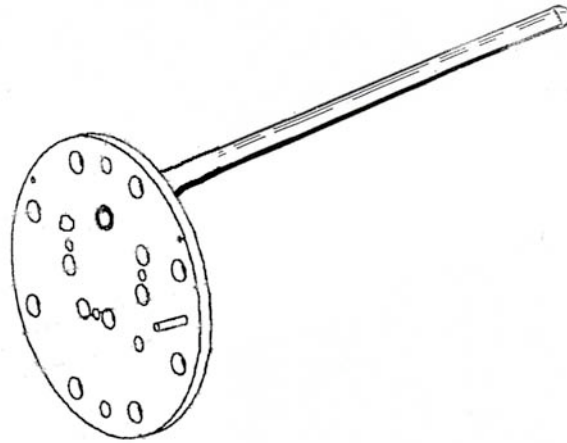
TYPE	REF.
SDET 75 – SDET 100 – SDET 150 SDET 200	3207021
SDET 150 S – SDET 200 S	3207021

Joint Bride
 Dichting Flens



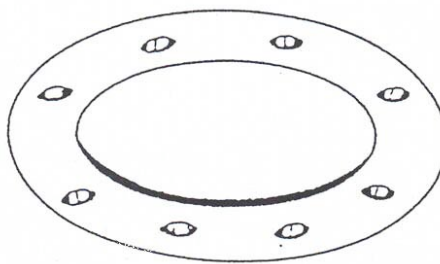
TYPE	REF.
SDET 75 – SDET 100 – SDET 150 SDET 200	3244502
SDET 150 S – SDET 200 S	3244502

BRIDE CHAUFFE – EAU BLINDES TRI (30 mm)
FLENS WATERVERWARMER GEPANTSERD TRI (30 mm)



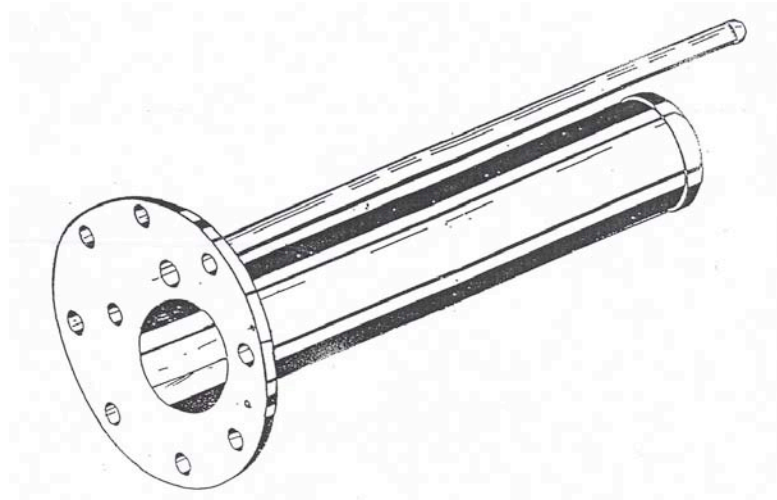
TYPE	REF.
SDET 75 – SDET 100 – SDET 150 SDET 200	3219100
SDET 150 S – SDET 200 S	3219100

Joint Bride
Dichting Flens



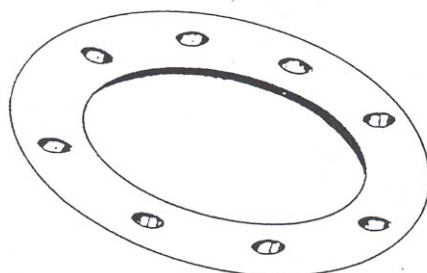
TYPE	REF.
SDET 75 – SDET 100 – SDET 150 SDET 200	3244502
SDET 150 S – SDET 200 S	3244502

CORPS DE CHAUFFE
VERWARMINGSLICHAAM



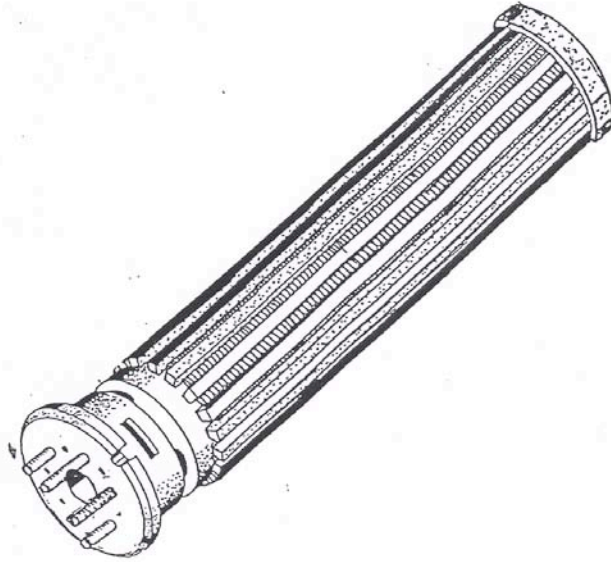
TYPE	REF.
SDET C 100 – SDET C 150 SDET C 200	3244007
SDET C 150 S – SDET C 200S SDET C 300 S	3227020

Joint CDCH
Dichting VWL



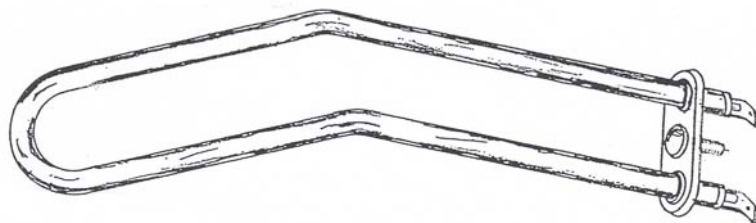
TYPE	REF.
SDET C 150 S – SDET C 200S SDET C 300 S SDET C 100 – SDET C 150 SDET C 200	3244502

RESISTANCE STEATITE
STEATIET WEERSTAND



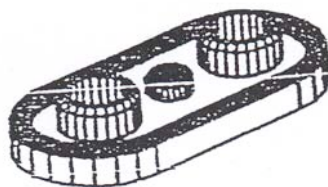
TYPE	REF.
SDET C 100 SDET C 150 – SDET C 200 SDET C 150 S – SDET C 200 S	3241727
SDET C 300 S	3241730

RESISTANCE BLINDE (24 mm)
GEPANTSERDE WEERSTAND (24 mm)



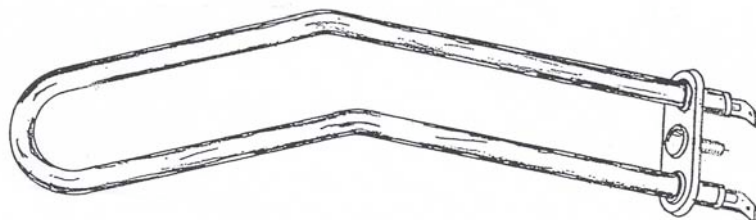
TYPE	REF.
SDET 100 H	3232037
SDET 150 H	3233007

Joint Résistance
Dichting Weerstand



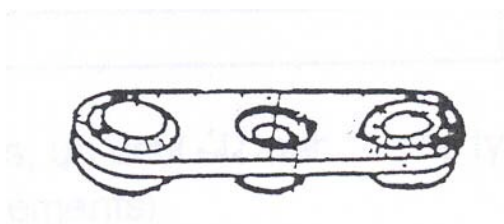
TYPE	REF.
SDET 100 H	3252041
SDET 150 H	3252041

RESISTANCE BLINDE (30 mm)
GEPANTSERDE WEERSTAND (30 mm)



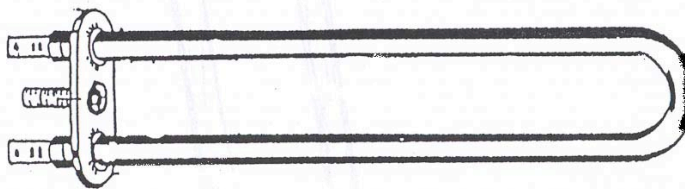
TYPE	REF.
SDET 100 H	3212006
SDET 150 H	-

Joint Résistance
Dichting Weerstand



TYPE	REF.
SDET 100 H	3252041
SDET 150 H	3252041

RESISTANCE BLINDE TRI (24 mm)
 GEPANTSERDE WEERSTAND TRI (24 mm)



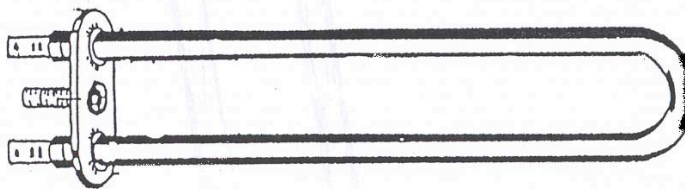
TYPE	REF.
SDET 75 – SDET 100 - SDET 150 SDET 200	3X 3233037
SDET 200 S – SDET 150 S	2X 3233037 1X 3217006

Joint Résistance
 Dichting Weerstand



TYPE	REF.
SDET 75 – SDET 100 - SDET 150 SDET 200	3X 3252041
SDET 200 – SDET 150	3X 3252041

RESISTANCE BLINDE TRI (30 mm)
 GEPANTSERDE WEERSTAND TRI (30 mm)



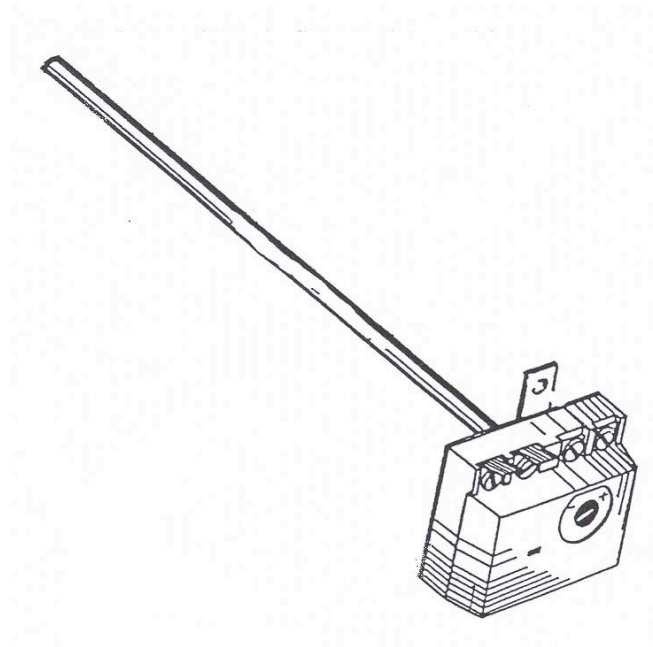
TYPE	REF.
SDET 75 – SDET 100 - SDET 150 SDET 200	3242682
SDET 200 S – SDET 150 S	3242682

Joint Résistance
 Dichting Weerstand



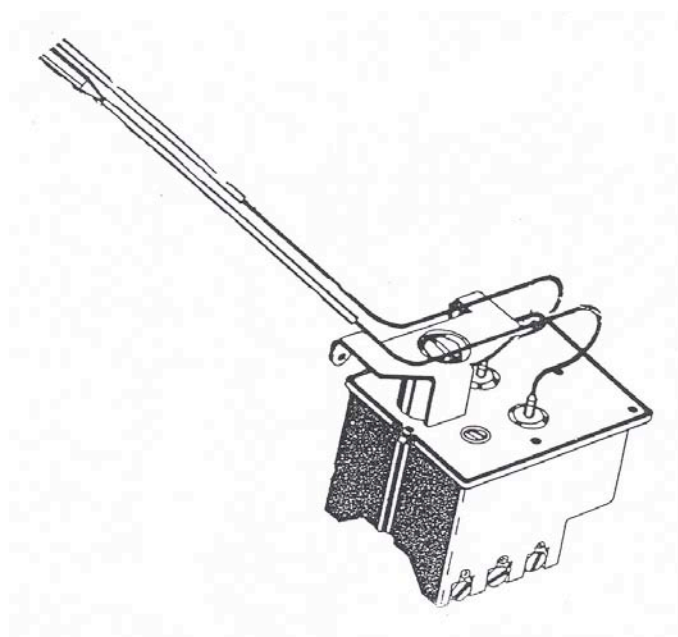
TYPE	REF.
SDET 75 – SDET 100 - SDET 150 SDET 200	3X 3252041
SDET 200 – SDET 150	3X 3252041

THERMOSTAT MONO
THERMOSTAAT MONO



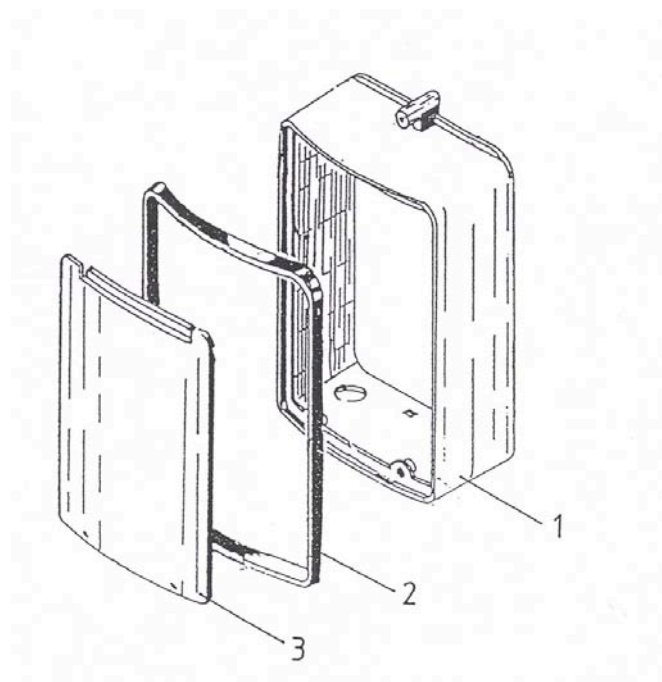
TYPE	REF.
SDET 50	3245255
SDET 100 H – SDET 150 H	3257639

THERMOSTAT TRI
THERMOSTAAT TRI



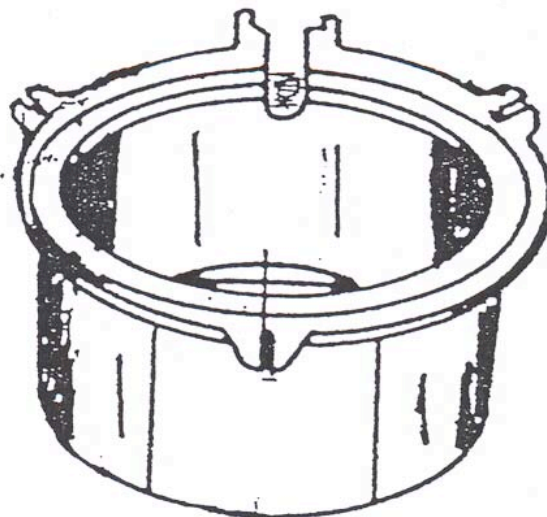
TYPE	REF.
SDET C 150 S – SDET C200 S SDET 150 S – SDET 200 S SDET 75 – SDET 100 – SDET 150 SDET C 300 S	3257626
SDET C 100 SDET C 150 – SDET C 200 SDET 150 – SDET200	3257626

CAPOT DE PROTECTION BESCHERMKAP



TYPE	N°	Ref.
SDET 150 S – SDET 200 S SDET C 150 S – SDET C 200 S SDET C 300S	1+2+3	3234009

CAPOT DE PROTECTION
BESCHERMKAP



TYPE	REF.
SDET 50 -200 I	3214032
SDET C 100 – 200 I	
SDET 100 H – 200 H	3215028