



Pièces de rechange SDET (C , S) Onderdelen

Jusqu'au
Tot **1991**

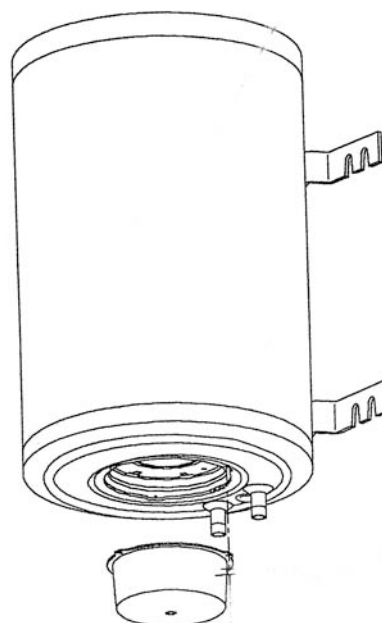
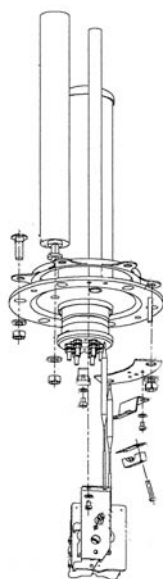
N° de fabrication 9 positions
Fabricage N° 9 posities

2 derniers chiffres = année de fabrication

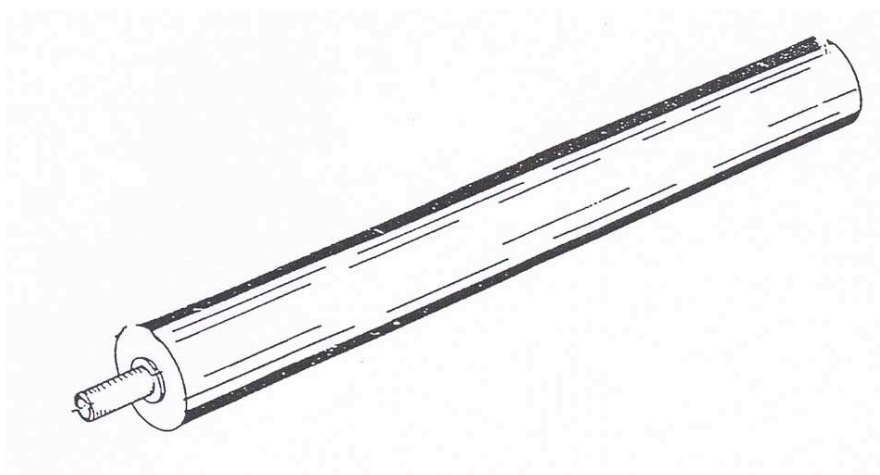
2 laatste cijfers = fabricagejaar

Ex.

Vb. 675209491 = 1991

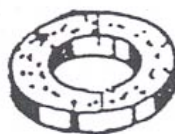


ANODE



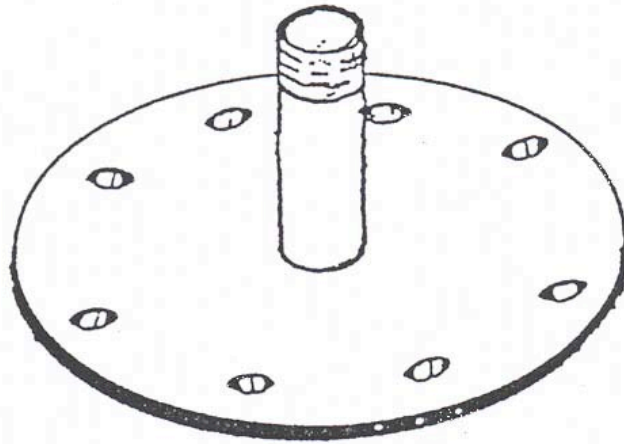
TYPE	REF
SDET 50 SDET 75 SDET 100 – SDET C 100 SDET 100 H	3242787
SDET 150 H SDET 150 – SDET 150 C SDET 200 – SDET C 200 SDET 150 S – SDET C 150 S SDET 200 S – SDET C 200 S	3221033

Joint Anode
Dichting Anode



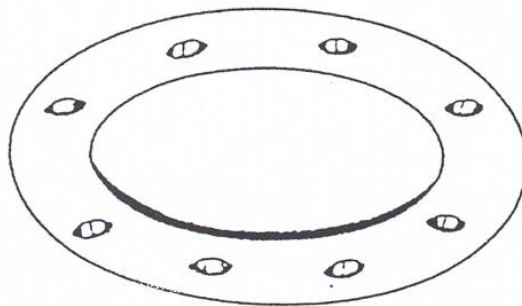
TYPE	REF
SDET 50 SDET 75 SDET 100 – SDET C 100 SDET 100 H	1205164
SDET 150 H SDET 150 – SDET 150 C SDET 200 – SDET C 200 SDET 150 S – SDET C 150 S SDET 200 S – SDET C 200 S	1205164

BRIDE – FLENS



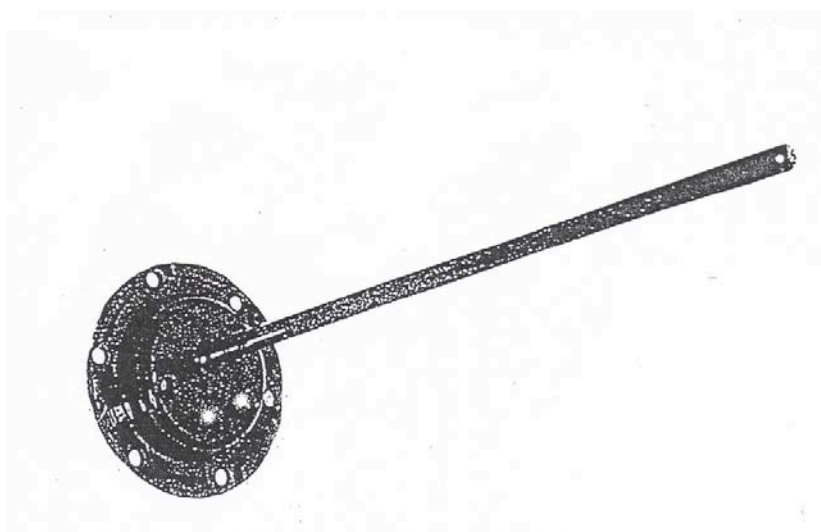
TYPE	REF.
SDET 150 S – SDET C 150 S	3224004
SDET 200 S – SDET C 200 S	3224004

Joint Bride Dichting Flens



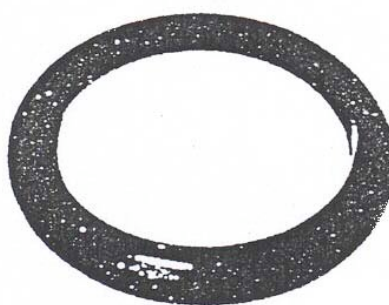
TYPE	REF.
SDET 150 S – SDET C 150 S	3244502
SDET 200 S – SDET C 200 S	

BRIDE CHAUFFE – EAU BLINDES MONO
FLENS WATERVERWARMER GEPANTSERD MONO



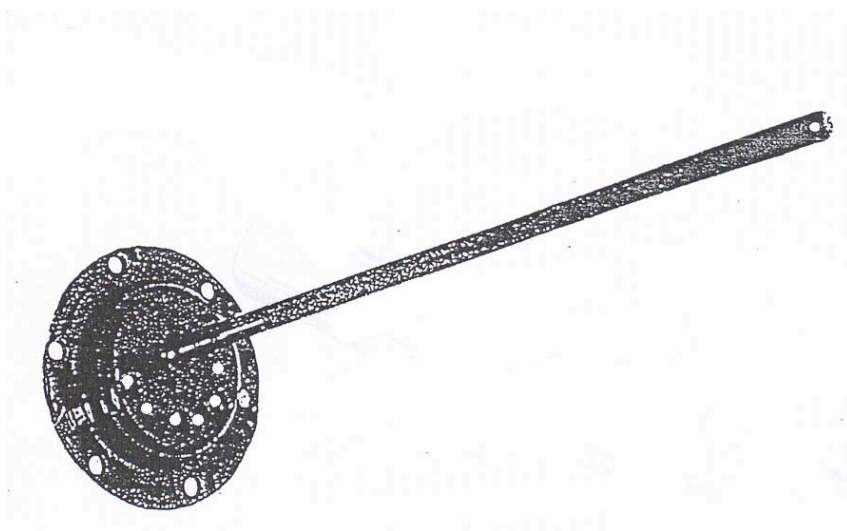
TYPE	REF.
SDET 50	3294331
SDET 75 – SDET 100 SDET 100 H – SDET 150 H SDET 150 S – SDET 200 S	3242105

Joint Bride
Dichting Flens



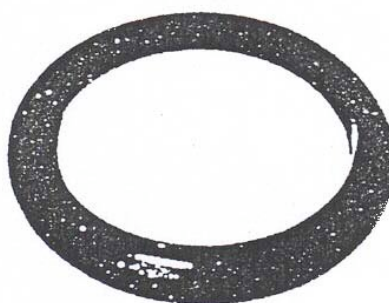
TYPE	REF.
SDET 50	3241941
SDET 75 – SDET 100 SDET 100 H – SDET 150 H SDET 150 S – SDET 200 S	3241941

BRIDE CHAUFFE – EAU BLINDES TRI
FLENS WATERVERWARMER GEPANTSERD TRI



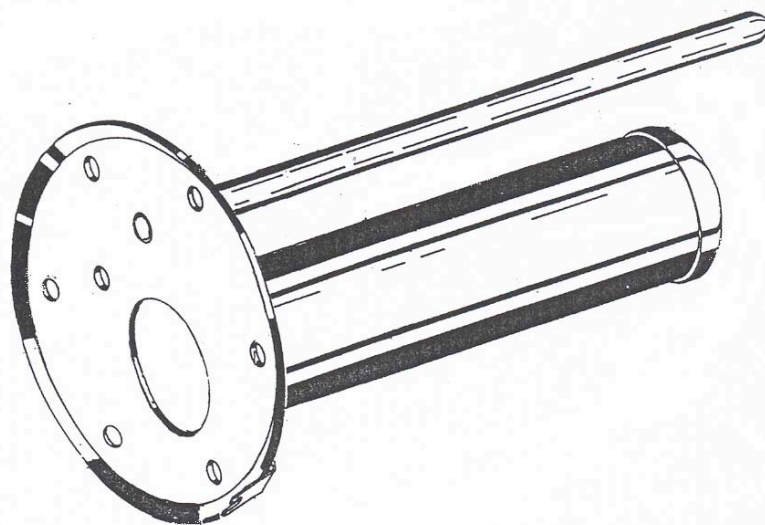
TYPE	REF.
SDET 150 – SDET 200	3242104

Joint Bride
Dichting Flens



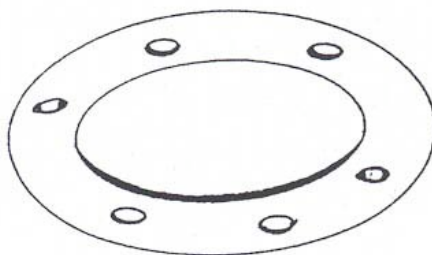
TYPE	REF.
SDET 150 – SDET 200	3241941

CORPS DE CHAUFFE
VERWARMINGSLISCHAAM



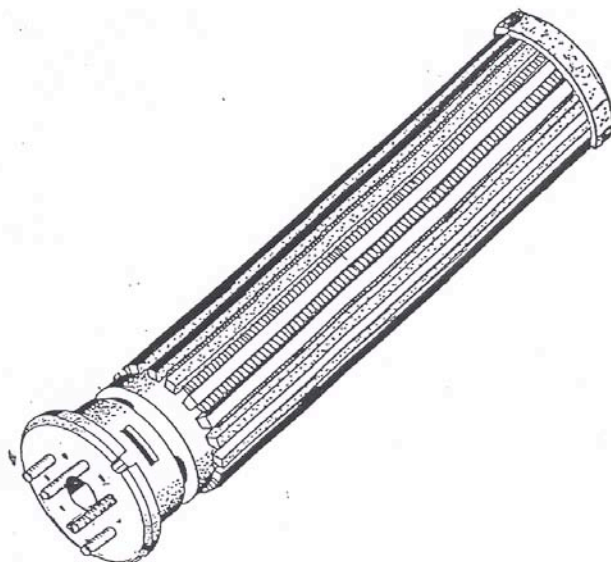
TYPE	REF.
SDET C 100 SDET C 150 – SDET C 200 SDET C 150 S – SDET C 200 S	3233338

Joint CDCH
Dichting VWL



TYPE	REF.
SDET C 100 SDET C 150 – SDET C 200 SDET C 150 S – SDET C 200 S	3269613

RESISTANCE STEATITE TRI
STEATIET WEERSTAND TRI



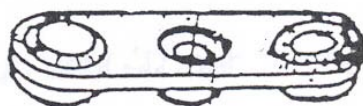
TYPE	REF.
SDET C 100 – SDET C 150 SDET C 150 S	3241727
SDET C 200 – SDET C 200 S	3241727

RESISTANCE BLINDE MONO
GEPANTSERDE WEERSTAND MONO



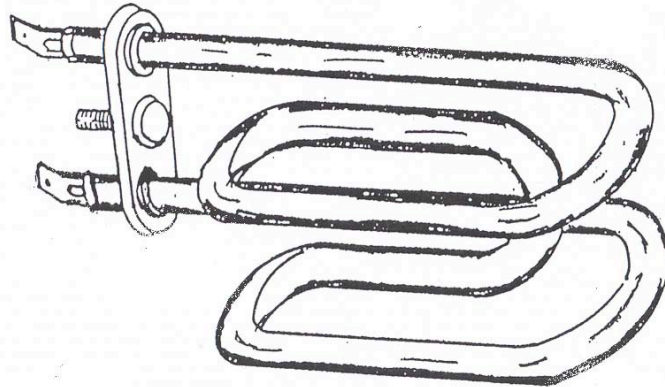
TYPE	REF.
SDET 50	3242681
SDET 75	3242683

Joint Résistance
Dichting Weerstand



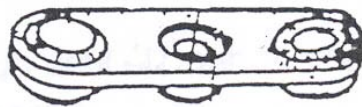
TYPE	REF.
SDET 50	3242691
SDET 75	3242691

RESISTANCE BLINDE MONO
GEPANTSERDE WEERSTAND MONO



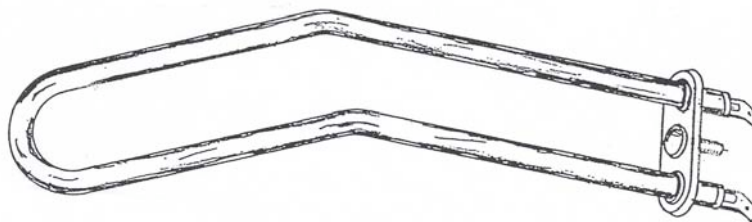
TYPE	REF.
SDET 100 – SDET 150 S	3242685
SDET 200 S	3242685

Joint Résistance
Dichting Weerstand



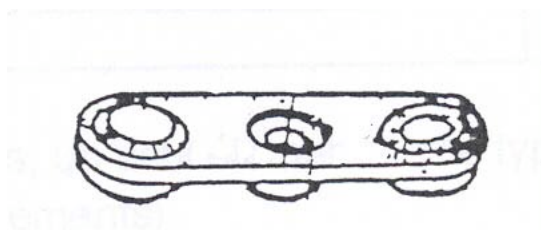
TYPE	REF.
SDET 100 – SDET 150 S	3242691
SDET 200 S	3242691

RESISTANCE BLINDE MONO
GEPANTSERDE WEERSTAND MONO



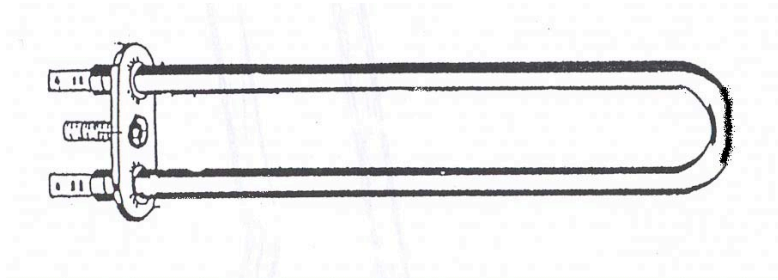
TYPE	REF.
SDET 100 H	3212006

Joint Résistance
Dichting Weerstand



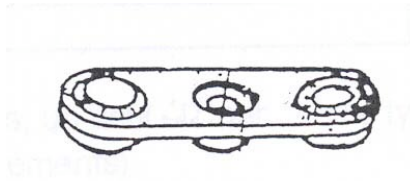
TYPE	REF.
SDET 100 H	3242691

RESISTANCE BLINDE TRI
GEPANTSERDE WEERSTAND TRI



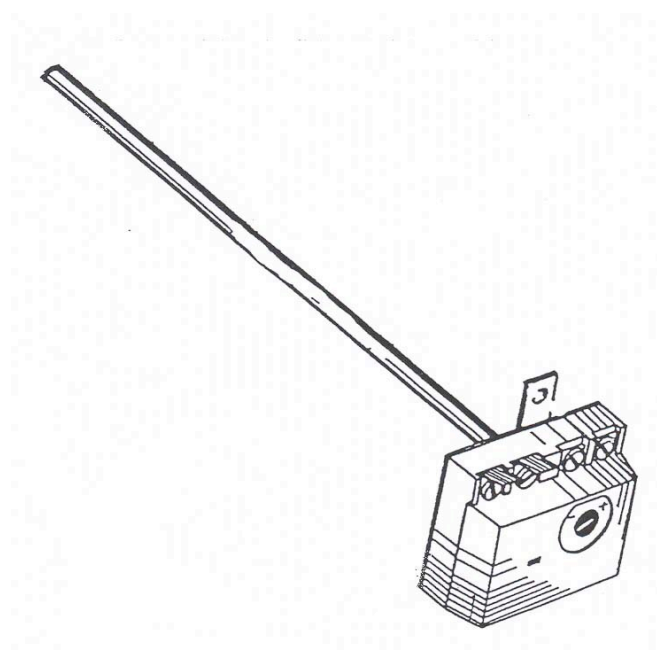
TYPE	REF.
SDET 150	3X 3242682
SDET 200	3X 3242682

Joint Résistance
Dichting Weerstand



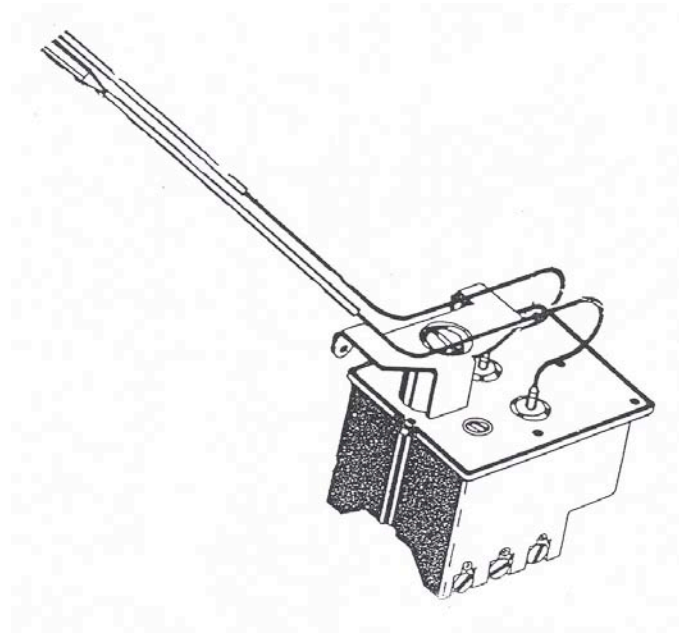
TYPE	REF.
SDET 150	3X 3242691
SDET 200	3X 3242691

THERMOSTAT MONO
THERMOSTAAT MONO



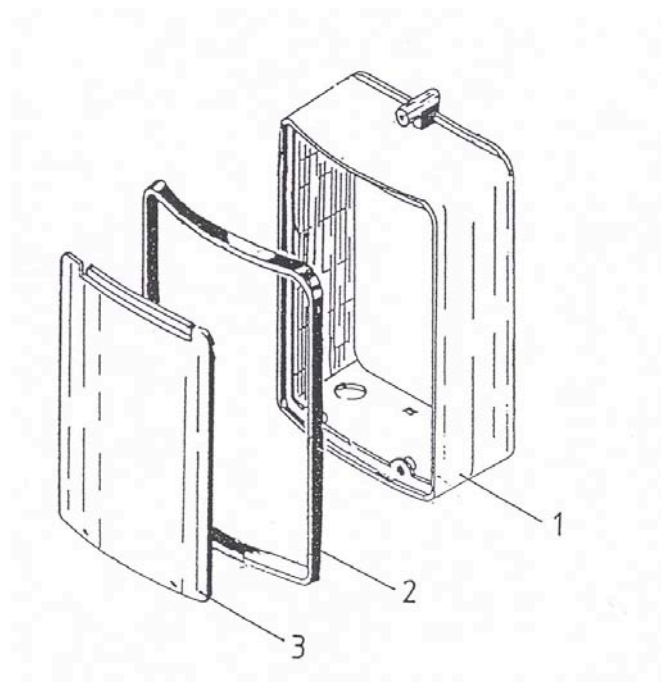
TYPE	REF.
SDET 50	3245255
SDET 75 – SDET 100 SDET 100 H – SDET 150 H	3257639

THERMOSTAT TRI
THERMOSTAAT TRI



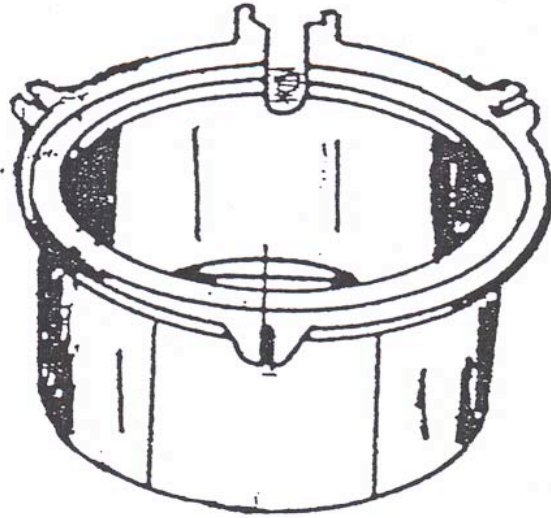
TYPE	REF.
SDET C 150 S – SDET C200 S SDET 150 S – SDET 200 S	3257626
SDET C 100 SDET C 150 – SDET C 200 SDET 150 – SDET200	3257626

CAPOT DE PROTECTION BESCHERMKAP



TYPE	N°	Ref.
SDET 150 S – SDET 200 S SDET C 150 S – SDET C 200 S	1+2+3	3234009

CAPOT DE PROTECTION
BESCHERMKAP



TYPE	REF.
SDET 50 -200 I	3214032
SDET C 100 – 200 I	
SDET 100 H – 200 H	3215028