



# Pièces de rechange SDET ( C , S ) Onderdelen

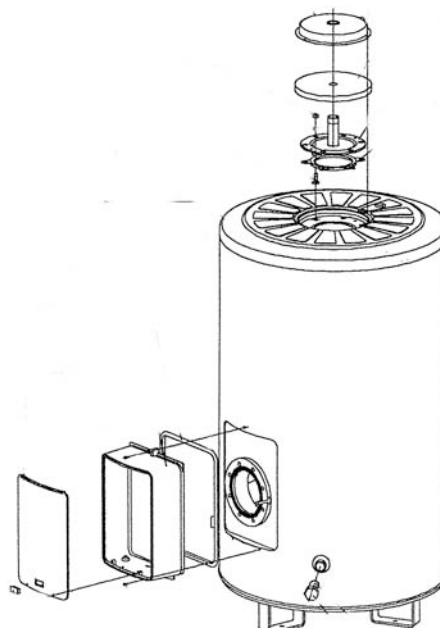
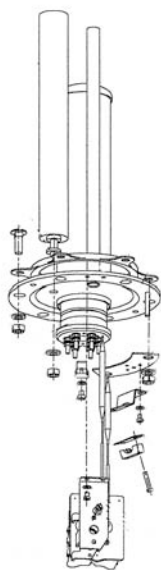
A partir de  
Vanaf **1996** ➡

N° de fabrication avec code barre ( 12 chiffres )  
Fabrikage N° in bar code ( 12 cijfres )

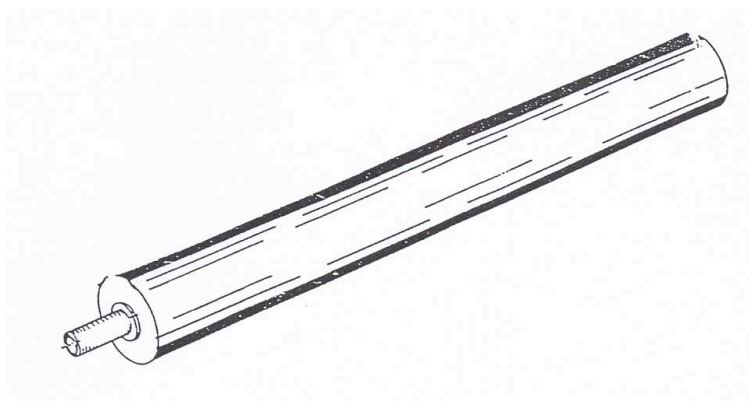
Dernier chiffre = année de fabrication  
Laatste cijfer = fabricagejaar

Ex.  
Vb. 225675209484 = 1994

A PARTIR de 2005 : 6 ème chiffre = année , 7 et 8 ème = semaine de fabrication  
VANAF 2005 : 6 de cijfer = fabricagejaar , 7 en 8 ste cijfers = fabricageweek

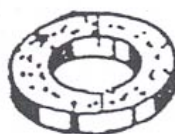


## ANODE



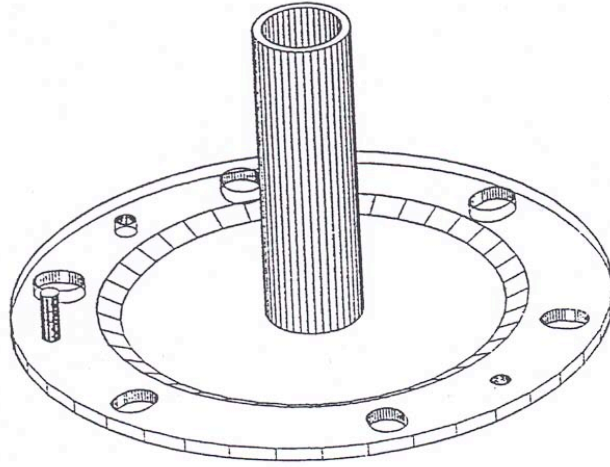
TYPE	REF
SDET 50 ↔ SDET 100 SDET C 50 ↔ SDET C 100 SDET 100 H	3242787
SDET 150 – SDET 200 SDET C150 – SDET C 200 SDET 150 H – SDET 200 H SDET 150 S – SDET 200 S SDET C 150 S ↔ SDET C 300 S	3221033

## Joint Anode Dichtung Anode



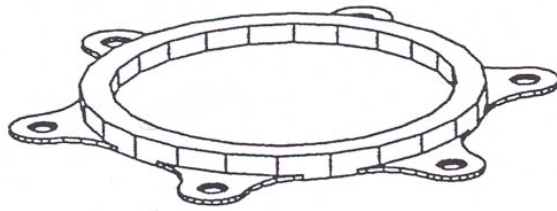
TYPE	REF
SDET 50 ↔ SDET 100 SDET C 50 ↔ SDET C 100 SDET 100 H	1205164
SDET 150 – SDET 200 SDET C150 – SDET C 200 SDET 150 H – SDET 200 H SDET 150 S – SDET 200 S SDET C 150 S ↔ SDET C 300 S	1205164

## BRIDE – FLENS



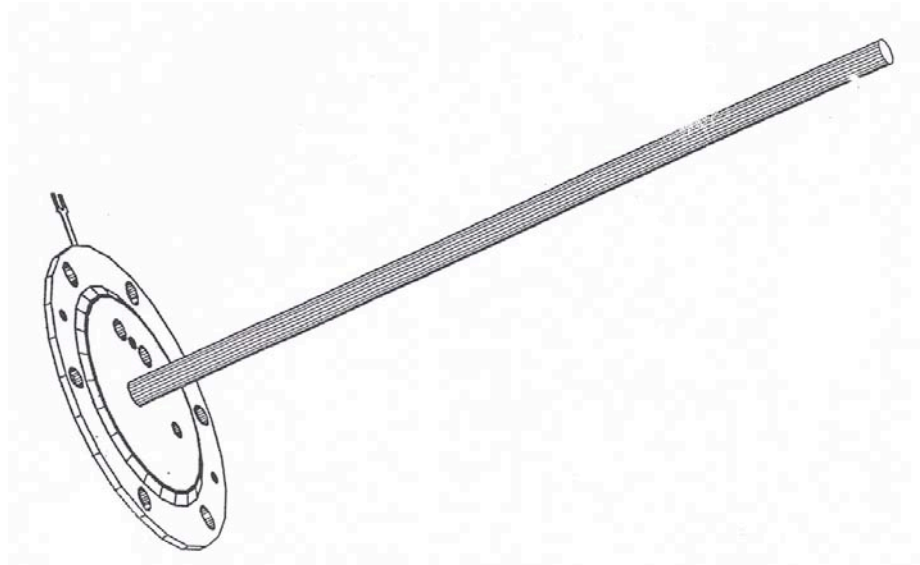
TYPE	REF.
SDET 150 S – SDET C 150 S	3209007
SDET 200 S – SDET C 200 S	3209007
SDET C 300 S	3209010

## Joint Bride Dichting Flens



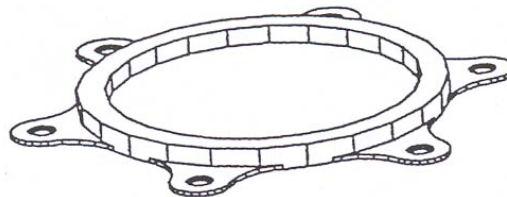
TYPE	REF.
SDET 150 S – SDET C 150 S	3227044
SDET 200 S – SDET C 200 S	3227044
SDET C 300 S	3227044

BRIDE CHAUFFE – EAU BLINDES  
FLENS WATERVERWARMER GEPANTSERD



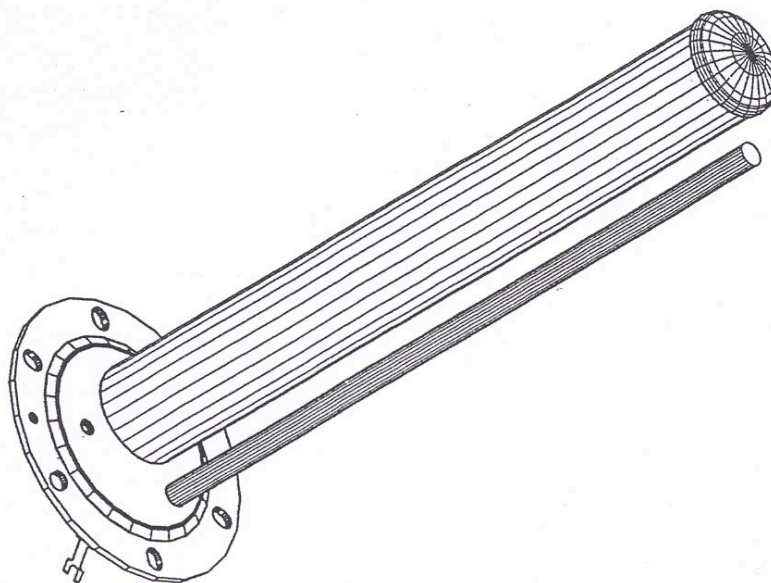
TYPE	REF.
SDET 50	3232009
SDET 75 – SDET 100 SDET 150 – SDET 200	3232038

Joint Bride  
Dichting Flens



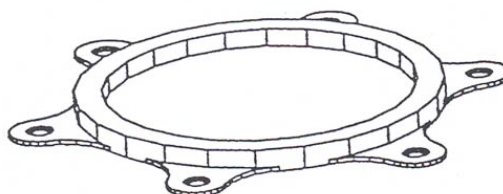
TYPE	REF.
SDET 50	3227044
SDET 75 – SDET 100 SDET 150 – SDET 200	3227044

CORPS DE CHAUFFE  
VERWARMINGSLISCHAAM



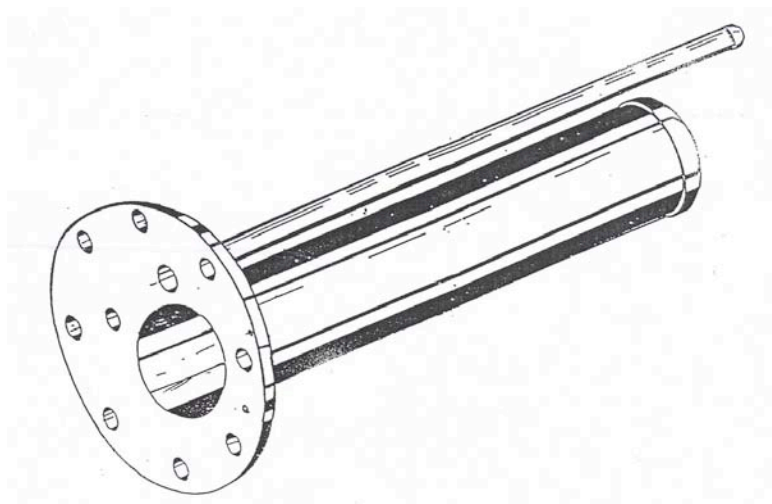
TYPE	REF.
SDET C 50	3201281
SDET C 75 – SDET C 100 SDET C 150 – SDET C 200	3216004

Joint CDCH  
Dichting VWL



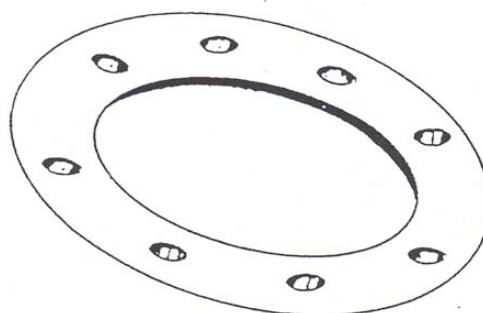
TYPE	REF.
SDET C 50	3227044
SDET C 75 – SDET C 100 SDET C 150 – SDET C 200	3227044

CORPS DE CHAUFFE  
VERWARMINGSLICHAAM



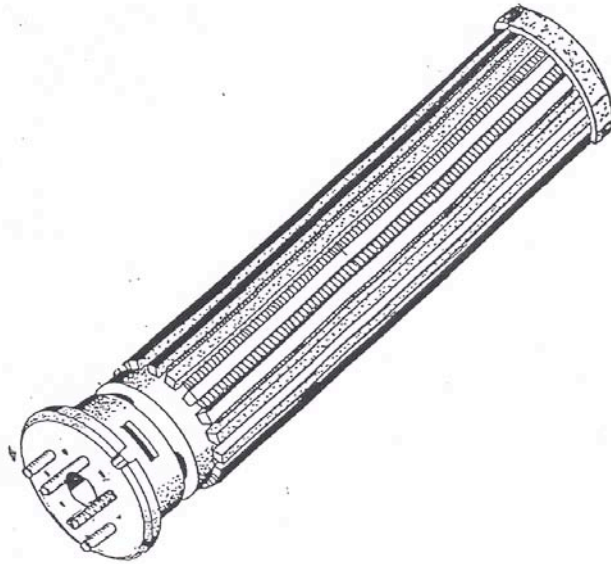
TYPE	REF.
SDET C 150 S –SDET C 200S	3244007
SDET C 300 S	3227020

Joint CDCH  
Dichting VWL



TYPE	REF.
SDET C 150 S –SDET C 200S	3244502
SDET C 300 S	

# RESISTANCE STEATITE STEATIET WEERSTAND



TYPE	REF.
SDET C 50	3241701
SDET C 75 – SDET C 100 SDET C 150 – SDET C 200 SDET C 150 S – SDET C 200 S	3241727
SDET C 300 S	3241730

RESISTANCE BLINDE  
GEPANTSERDE WEERSTAND



TYPE	REF.
SDET 50	3234034

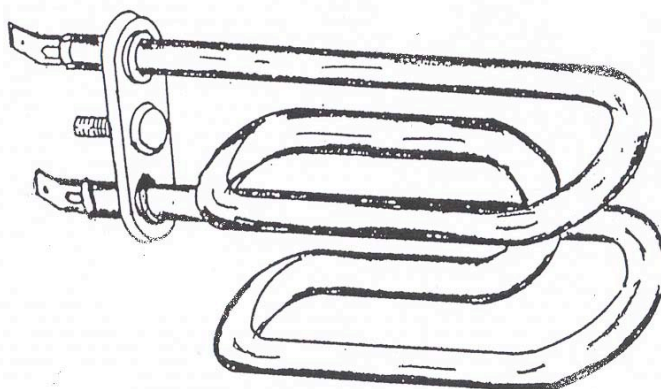
Joint Résistance  
Dichting Weerstand



TYPE	REF.
SDET 50	3252041



RESISTANCE BLINDE  
GEPANTSERDE WEERSTAND



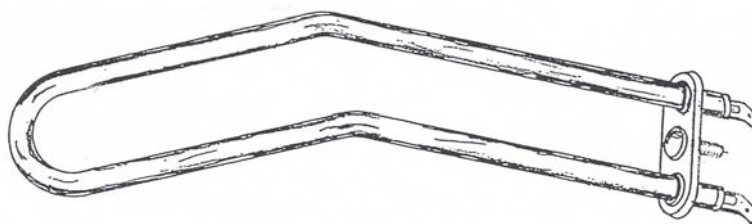
TYPE	REF.
SDET 75 – SDET 100 SDET 150 – SDET 200 SDET 150 S – SDET 200 S	3240015

Joint Résistance  
Dichting Weerstand



TYPE	REF.
SDET 75 – SDET 100 SDET 150 – SDET 200 SDET 150 S – SDET 200 S	3252041

RESISTANCE BLINDE  
GEPANTSERDE WEERSTAND



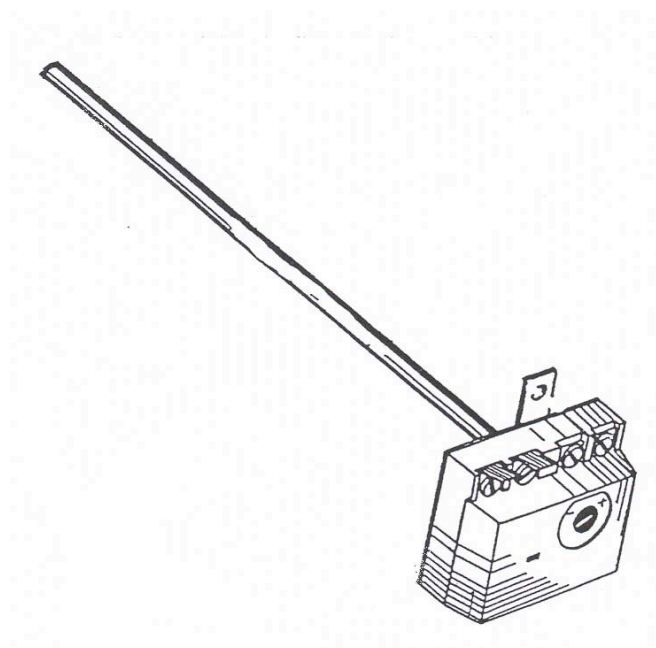
TYPE	REF.
SDET 100 H	3232037
SDET 150 H	3233007
SDET 200 H	3233010

Joint Résistance  
Dichting Weerstand



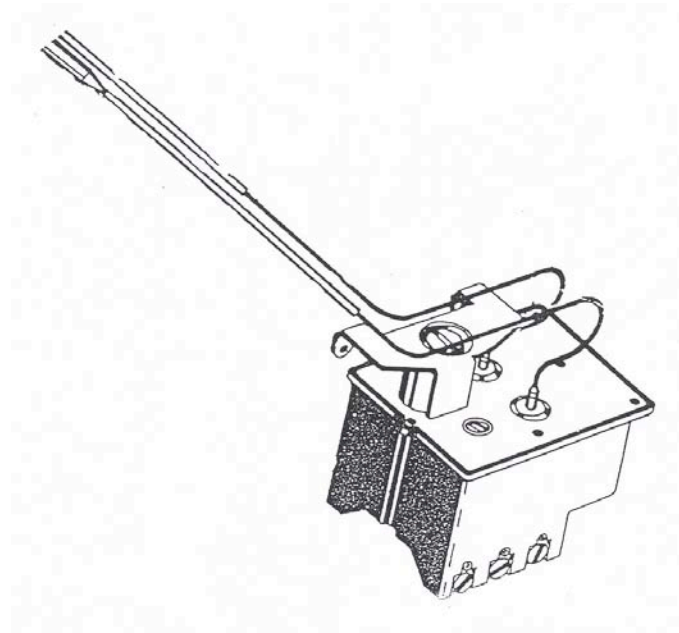
TYPE	REF.
SDET 100 H	3252041
SDET 150 H	3252041
SDET 200 H	3252041

# THERMOSTAT MONO THERMOSTAAT MONO



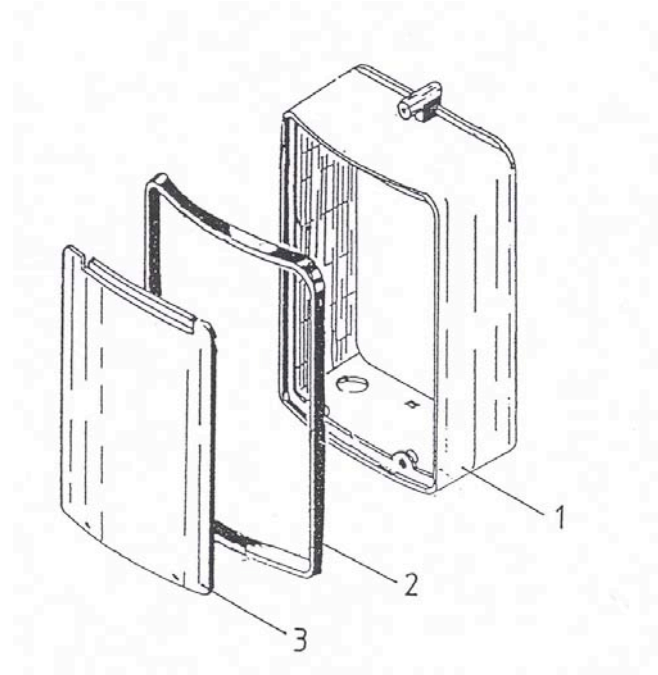
TYPE	REF.
SDET 50 – SDET C 50	3245255
SDET 75 – SDET 100 SDET 150 – SDET 200 SDET 100 H – SDET 150 H SDET 150 H – SDET 150 S SDET 200 S	3257639

THERMOSTAT TRI  
THERMOSTAAT TRI



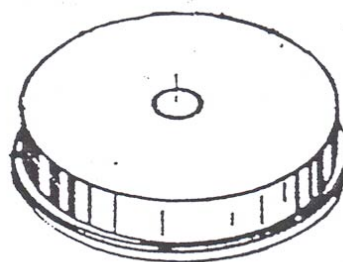
TYPE	REF.
SDET C 75 – SDET C 100 SDET C 150 – SDET C 200 SDET C 150 S – SDET C 200 S SDET C 300 S	3257626

## CAPOT DE PROTECTION BESCHERMKAP



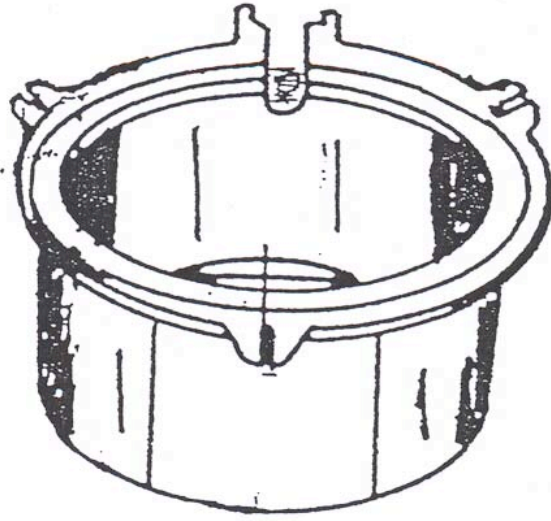
TYPE	N°	Ref.
SDET 150 S – SDET 200 S SDET C 150 S – SDET C 200 S SDET C 300 S	1+2+3	3234009

## CAPOT DE FOND BOVENDEKSEL



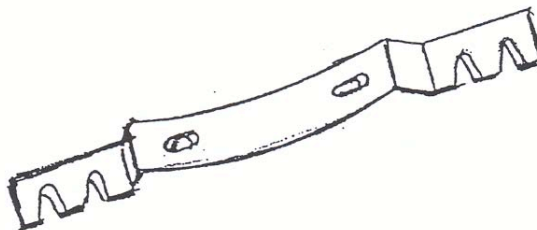
TYPE	REF.
SDET 150 S – SDET 200 S SDET C 150 S – SDET C 200 S	3232016

CAPOT DE PROTECTION  
BESCHERMKAP



TYPE	REF.
SDET 50 -200 I	3214032
SDET C 50 – 200 I	
SDET 100 H – 200 H	3215028

# ETRIER OPHANGBEUGEL



TYPE	REF.
SDET 50 – SDET 75 SDET C 50 – SDET C 75	-
SDET 100 – SDET C 100 SDET 150 – SDET C 150	-
SDET 200 – SDET C 200	-
SDET 100 H – SDET 150 H – SDET 200 H	3288042